

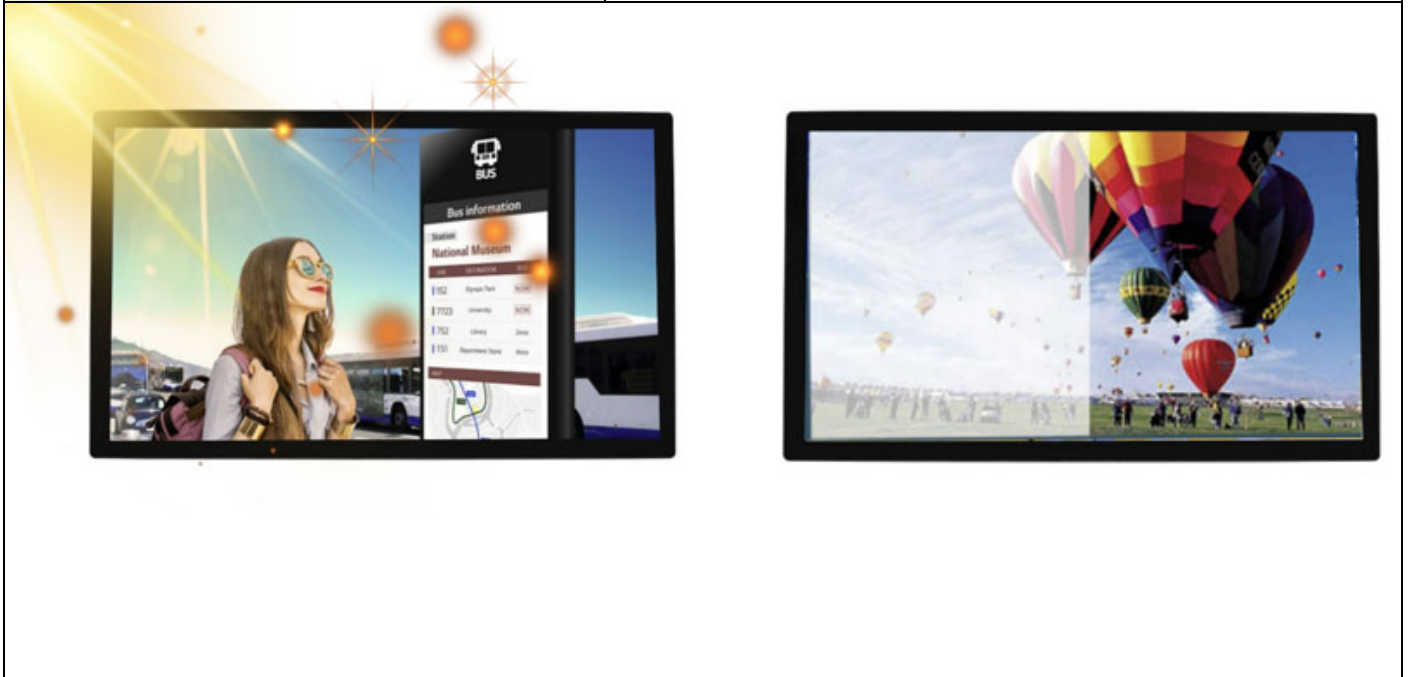


SPECIFICATION

| | |
|--------------------|---|
| | Industrial Rear Mount Frame LCD Monitor |
| MODEL | TSOPA |
| PRODUCT MODEL NAME | TSVH-W1561-PCT |
| CUSTOMER | |
| DATE | 2020-03-22 |

| | |
|--|---|
| APPROVED BY TOUCH AND DISPLAYS CO.,LTD | |
| ENGINEER | Kyeong Min Lee |
| REVIEWER |  |
| CONFIRMED |  |



MONITOR

Key Feature

- High Brightness 1000 nits
- LED Backlight
- Wide Temperature (-20 °C ~70 °C)
- Power Socket(9v~36V in)
- BL MTBF: 50,000 hour
- IPS(Wide Viewing Angle LCD
- Optical Bonding
- Auto dimming sensor

| ITEMS | SPECIFICATION | |
|--------------|---|--|
| LCD | Size | 15.6" TFT LCD, LED Back light |
| | Active Area(mm) | 343.17mm(H) x 193mm(V |
| | Resolution | 1920x1080 |
| | Contrast Ratio | 1000:1(Typ) |
| | Display Color | 16.7M |
| | Response Time | 25(Typ) |
| | Brightness(cd/m2) | 1000cd/m2(PCAP 850) |
| | Viewing Angle(L/R/U/D) | 85'/85'/85'/85' |
| | Operating Temperature | -20'~70'C |
| | Storage Temperature | -20~+70'C |
| | Panel Interface | LVDS |
| | OSD key | 5key(Menu/Down/Up/Enter/Power) |
| | Frame | Open Frame VESA mount/Open mount Bracket |
| | Signal Connector | VGA,DVI, HDMI |
| | MTBF | WLED 50000 hours |
| | Dimming Bright | Auto Dimming Sensor |
| Power source | DC12V in With External AC to DC adapter) 9V~36V(Optional) | |

| | | |
|------------------------|--|---|
| Touch Screen | Touch Technology | PCAP Touch, Capacitive Touch Screen |
| | Input Methods | Finger, Gloved, Passive styles |
| | Number of Touches | Single -Touch and 5 Multi Touch |
| | Glass Thickness | 3mm Tempered Glass |
| | Light Transmission | 90% |
| | Response Time | 8ms |
| | Life Span | Over 50 million touches in one location |
| | Positional Accuracy | ± 1.5m |
| | Touch Interface | USB |
| | | RS232(Optional) |
| | Touch Treatment | UV resistant Ceramic paint on the touch |
| Operating System | Win XP, 7, 8, Linux, Android | |
| I/O Port | Video | 1x VGA1x HDMI, 1xDVI X USB, 1x 24V Power Socket |
| Audio | Speaker | Optional |
| IO Ports | Video | 1xDVI |
| | | 1xVGA |
| | | 1X DP (Optional) |
| | | 1XDVI-D, DVI-I(optional) |
| | Audio | Speaker(optional) |
| Mechanical | Dimension | TBD |
| | Enclosure | Metal |
| Audio | Speaker | Optional |
| Touch Screen(optional) | | Resistive Touch Screen |
| | | Touch Chip: EETI/ILITEK |
| | | Touch Point: Multi touch |
| | | Touch Supply Voltage: 5V |
| | | Touch Interface: USB |
| | | Touch Support OS: Window/Android/ Linux |
| Accessories | 1x24v dc cable, 1x3m HDMI cable, 1x 3m USB cable 100~240V AC to DC Adapter Power Cord | |



DQ : TDS200322-J01

| | |
|---|--|
| Weight (Net) | 4.5 kg |
| Surface Treatment | UV resistant Ceramic paint on the touch |
| Water/Dust Protection | IP65(front)/ IK07(front) |
| Customer Request | |
| <p>Display Port: Customization</p> <p>LCD Brightness(Dimming): High Brightness / Sunlight Readable/Dimming : Auto,Knob,Manual - Industrial monitor : 5% Dimming (Zero Dimming : please ask to Sales team) - High-brightness monitor : 50% Dimming (5%, Zero Dimming : please ask to Sales team)</p> <p>Touch Screen : PCAP touch screen/Resistive Touch Scree/ IR Touch Screen/SAW Touch Screen</p> <p>Glass :Tempered Glass, AR/AG coating , Optical/Air Bonding</p> <p>Power: DC voltage/AC voltage/Connector type</p> <p>Cable/Connector: Length of Cable and connector type</p> <p>Mechanical Housing/ IP grade/ Easy Mounting Design</p> <p>All in One PC CPU Option : J1900 , J4125, J6412 i3-6100U ,i3-8145u,i3-10110u, i5-6200u, i5-7200u,i5-8262u,i5-10210u, i7-6500U,i7-7500U,i7-8565U,i7-10510U</p> <p>For RAM: 4g/8g /16G RAM.</p> <p>For Hard Disk: 64G/128G/256G/512G SSD, or 500G/1T HDD.</p> | |



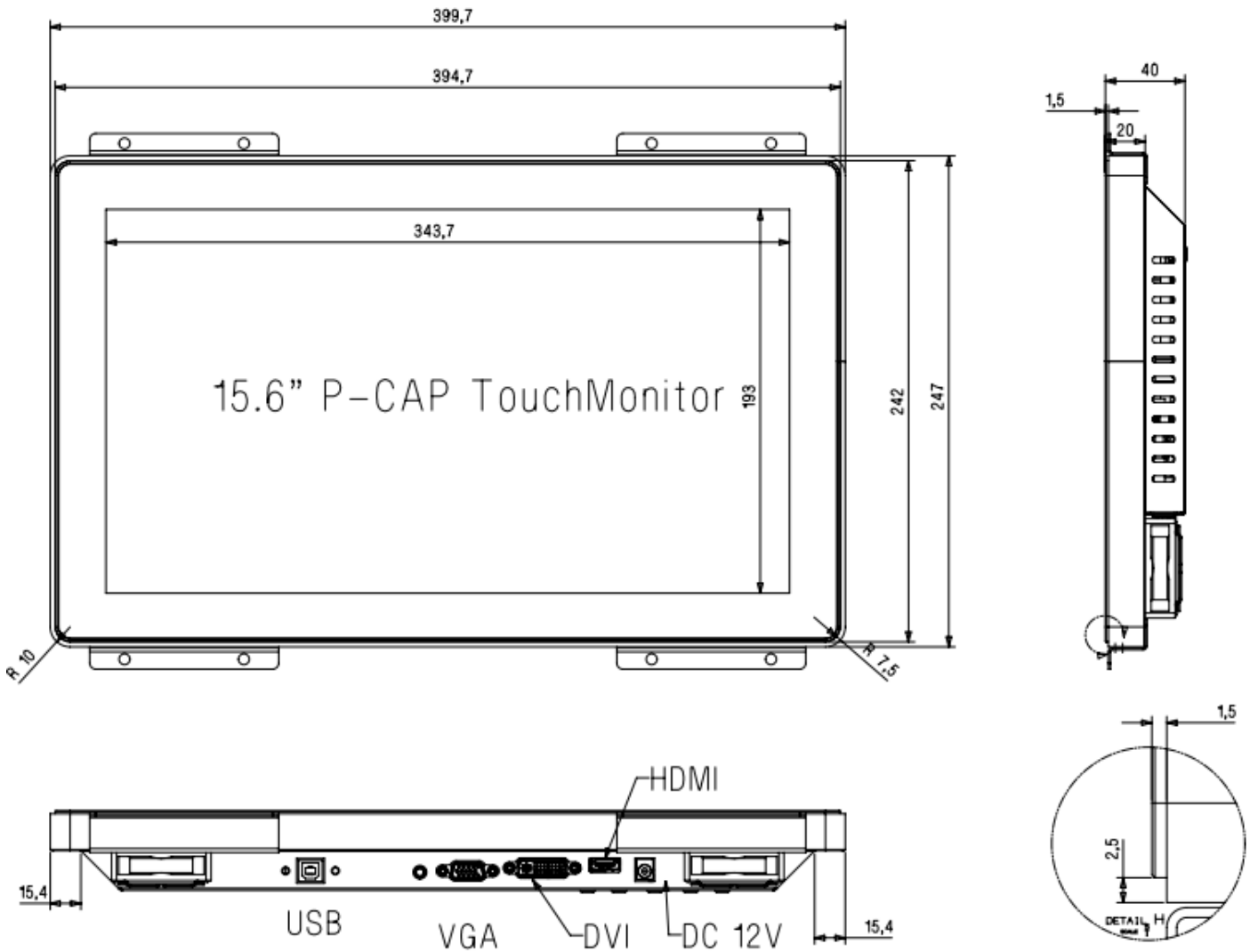
PC-RGB Supported Model Table

This section lists some of the PC-RGB modes supported by this product, including their vertical frequency, horizontal frequency, and resolution.

PC-RGB Mode Table (This table is for the reference only, due to differences in signal source output, the data may vary from the table)

| | Resolution | Horizontal frequency (KHz) | Vertical frequency (Hz) | Standard |
|--------|------------|----------------------------|-------------------------|----------|
| WUXGA | 1920X1200 | 74.5 | 60 | |
| | | 94.0 | 75 | |
| UXGA | 1600X1200 | 74.5 | 60 | VESA |
| | | 94.0 | 75 | |
| WSXGA+ | 1680X1050 | 65.2 | 60 | |
| | | 82.2 | 75 | |
| WXGA+ | 1440X900 | 55.9 | 60 | --- |
| | | 70.5 | 75 | |
| WXGA | 1280X800 | 49.7 | 60 | --- |
| | | 62.6 | 75 | |
| SXGA+ | 1400X1050 | 65.2 | 60 | --- |
| | | 82.2 | 75 | |
| SXGA | 1280X1024 | 63.6 | 60 | VESA |
| | | 80.2 | 75 | |
| XGA | 1024X768 | 47.7 | 60 | VESA |
| | | 56.0 | 70 | |
| | | 60.1 | 75 | |
| SVGA | 800X600 | 37.3 | 60 | VESA |
| | | 43.8 | 70 | |
| | | 47.3 | 75 | |
| VGA | 640X480 | 29.8 | 60 | VESA |
| | | 35.0 | 70 | |
| | | 37.7 | 75 | |
| DOS | 640X480 | 29.8 | 60 | VESA |
| | 720X400 | 29.2 | 70 | |

MECHANICAL DRAWING



NOTE

1. This is a simplified drawing, and some components are not marked in detail.
2. Please contact our sales representative if you need further product information.
3. All specifications are subject to change without prior notice.
4. The product shown in this datasheet is a standard model. For diagrams that contain customized or optional I/O , please contact our Team(TDS) for more information.