

TSPC-1952LE-PCT

19" PCAP All-in-One Touch Computer



Product Highlight

TSPC-1952LE-PCT 19inch projective capacitive All-In-One touch computer Aluminum alloy front bezel, inside pcap touch meet IP65 water proof, Highlight display with anti -vandal tempered cover glass meet UL60950, Suitable for outdoor application, which is designed for Kiosks, Interactive digital signage, ATM,Gaming, Casino, Industrial, Education etc., is easily connected and installed by user

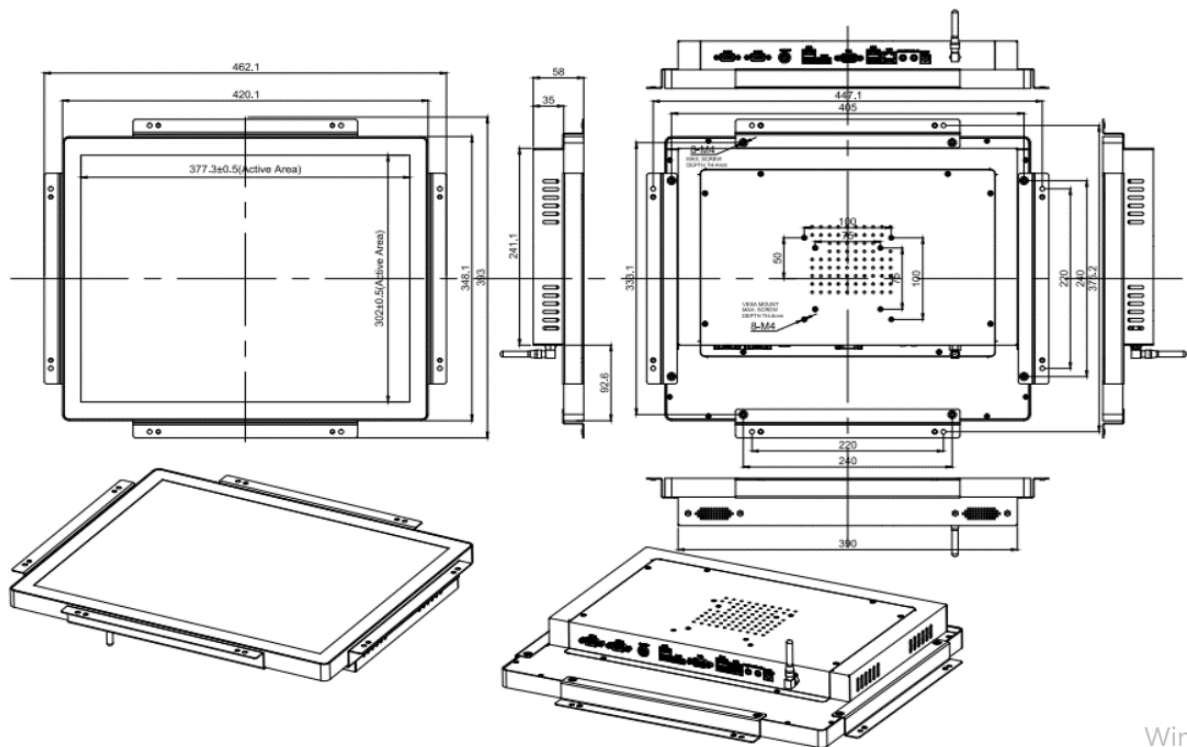
Features

Zero-Bezel flat touch computer, slim housing.
 3mm anti-vandal tempered cover class, Meet IP65 water proof
 Standard VESA mounting and for side bracket options

Specification

DISPLAY	LCD Size(Resolution)	19" 5:4 Active Matrix TFT LCD(1280X1024)
	Display Area (mm)	377.3 (H) x 302(V)
	Viewin Angle	Horizontal : 85'/85', Vertical: 80"/80'
	Brightness(cd/m2)	250 (typ.)
	Contrast	1000 : 1 (typ.)
	Aspect Ratio	5:4
	Touch Screen	PCAP(Resistive , IR touch Option)
Hardware	CPU	Intel® Celeron J1900/1.99GHz (Intel i3,i5,i7 options)
	RAM	DDR3 4G or 8G
	Harddisk	64G/128G/256G SSD
	USB and Comport	2x USB 3.0, 2X USB2.0 , 2x COM(RS232) Port
	Ethernet Port	1xLAN RJ45(Gigabit)
	Additional Video Out	1x HDMI and 1xVGA out
	Wireless	Wi-Fi 802.11 a/b/g/n/ac
	Bluetooth	Bluetooth 4.0
	Audio and Microphone	1x 3.5mm line out, and 1xmicrophone out
	Speaker	2x12W internal speakers
	Support OS	Windows 7 / Windows 8 / Windows 10 / Linux.
	Touch Screen	
	Touch Technology	Projective Capacitive Touch Technology
	Response time	3ms
	Touch Resolution	32767x32767
	Touch Glass	3mm Anti-vandal Tempered glass meet UL60950 IK07
	Sealability	Touchscreen sealed to Aluminum alloy -bezel IP65 Touchscreen seal to LCD
	MTBF	50,000 hours demonstrated
	Mounting Options	VESA Mount, four-side bracket and stand option
	Power Supply	100-240VAC, 50~60Hz
Temperature Range	operating Temperature : 0°C ~ 50°C, storage: -20 to 60'c	
Humidity Range	operatig 20%~80%, Storage: 10% to 90%	
Power Consumption	TBD	

Mechanical Drawing



Windows

Touch and Displays Co.,Ltd.