

10.1" ELO Style Projected Capacitive Open-Frame Monitor

Product:10.1" Touch open frame monitor

Version:Ver.1.0

Totally compatible with ELO1093L-E321195

Contents

- 1.Overview**
- 2.General description**
- 3.Interface connection**
- 4.Drawing**
- 5.Package**

1.Overview

10.1."ELO Style PCAP open frame monitor

1)Features:

- ◆ 75x75 VESA hole
- ◆ 10.1"LED Backlight Monitor,10280x800 resolution
- ◆ Port: VGA,HDMI,DP,USB
- ◆ Lower Power Consumption
- ◆ Power cord, VGA cable & USB cable included
- ◆ Multi-touch,10 points capacitive touch,touch thru as ELO.
- ◆ CE,FCC
- ◆ 2 Years Warranty

2) Photos

A.Open Frame Design





2. General Description:

Screen diagonal dimension	10.1inch
Viewable area W x H(mm)	218x136.6mm
Led Type	LED
Screen Maximum Resolution	1280x800
Brightness	330 cd/m ²
Auto Adjust	Yes
Monitor Aspect Ratio	16:10
Contrast Ratio	600:1
View Angle H/V(degrees)	80°/80°/80°/80°
Port inputs	VGA+HDMI+DP+USB
Speakers	optional
OSD Languages	English, Spanish, German, Chinese, French, Italian
VESA Mounting Pattern	75x75mm
Net weight	2.65KG
Gross Weight	3.45KG
Power- Watts(on and standby)	< 25W
Power input (External)	12V,3A
Operating Temperature	0°C ~ 40°C
Storage Temperature	-20°C ~ 60°C
Operating Humidity	10 ~ 85%
Certifications	CE,FCC

Touch Panel Specification:

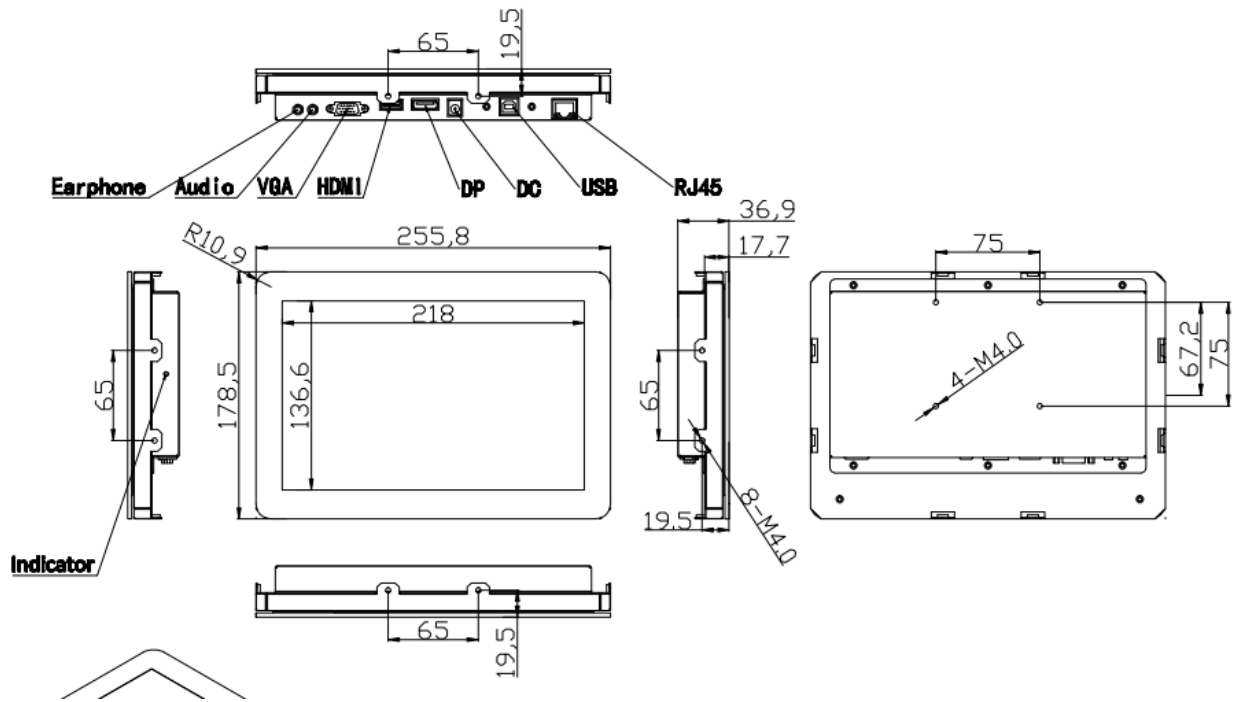
Type	10.4" PCAP TOUCH
Active Area	218x136.6mm
Surface Hardness	≥6H
Touh glass thickness	3mm
Consumption	≤0.5W
Touch Points	10 Touch Points
Response Time	≤10ms
Touch Operation	Finger or Touch pen
Complaint O/S	WinXP,Win7,Win8,Win10,Android,Linux
Transparency	≥85%

3.Interface description:

Touch-USB,HDMI,VGA,DP,RJ45(for OSD pad only)



4.Drawing:



5.Package:Palletized

