


Features:

1. Fully enclosed design, the whole monitor is dustproof.
2. Seamless design flat bezel, front panel IP65 waterproof.
3. Aluminum alloy shell, good mechanical properties, excellent heat dissipation.
4. Adopt multi-points PCAP touch panel, high sensitive and fast-response. Covered with 2mm tempered glass for vandalproof.
5. High performance mainboard, 7x24 continuous operation.
6. VGA+HDMI+DVI interfaces, USB for touch.
7. 12-24V wide voltage support.
8. With waterproof rubber seal on the back side.
9. Support wall mounting, desk stand, embedded mounting.

Model: TSINE-116-PCT
LCD panel

Panel size	11.6"
Resolution	1920*1080
Aspect ratio	16:9
Support Color	16.7M colors
Brightness (cd/m ²)	350+ (high brightness optional)
Contrast ratio	800:1
View angle	85°/85°/85°/85° (R/L/U/D)

Touch panel

Touchscreen Type	Project Capacitive Touch (10 points)
Surface Hardness	7H
Luminousness	90%
Touch Interface	USB (RS232 optional)
Touch response time	2ms
Working Life	>50 million times
Touch options	(5 wires restive touch optional)

Signal Ports

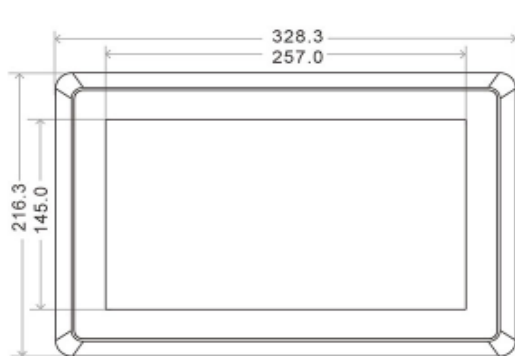
VGA	1x VGA
DVI	1x DVI
HDMI	1x HDMI
Audio in/out	Optional

OSD

OSD control	Brightness, contrast ratio, auto adjustment, H/V position, language select, etc.
Support languages	English, French, Spanish, Portuguese, Italian, German, Russian, Japanese, Chinese, etc.
Support OS	Windows XP, Windows /7/8/10, Linux, Mac OS X, Android, ect.

Power Supply	
External Power Supply	AC 100 - 240V, 50-60Hz
Working voltage	DC 12V
Power consumption	≤12W
Enclosure	
Material	Aluminum Alloy
Color	Black, Silver
VESA mounting	75x75mm/100x100mm
IP grade	Front panel IP65 waterproof
Operating Environment	
Temperature Range	Operating: -10 to 60°C, storage: -20 to 70°C
Relative humidity	Operating: 10% to 80%, storage: 5% to 90%
Packing Details	
Net weight	2.5kg
Gross weight	4kg
Product Dimension	32.83*21.63*6cm
Packing size	43*38*18cm
Accessories	Power adapter, VGA cable, USB touch cable, embedded screws, user manual, warranty card
Other	
Mounting	Embedded mounting screws
	Wall mounting brackets (optional)
	Desk stand holder (optional)

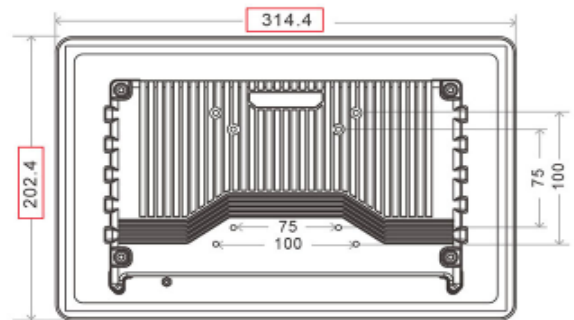
11.6" Touch Monitor



Front view



Side view



Back view